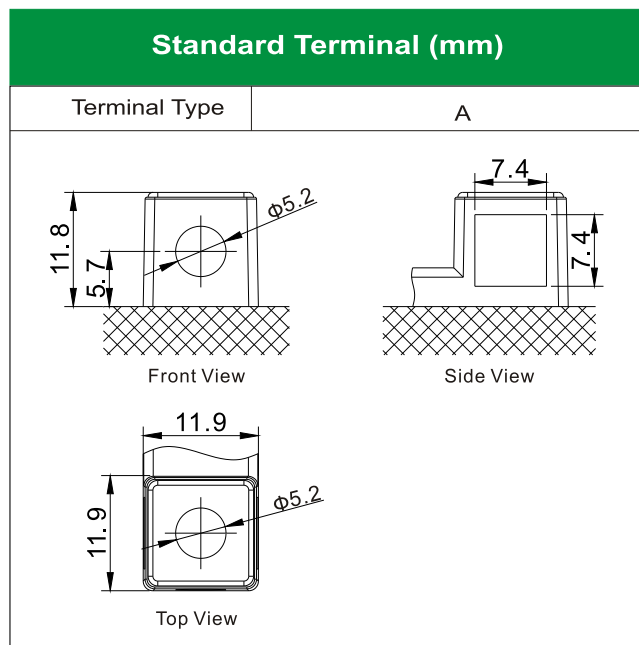
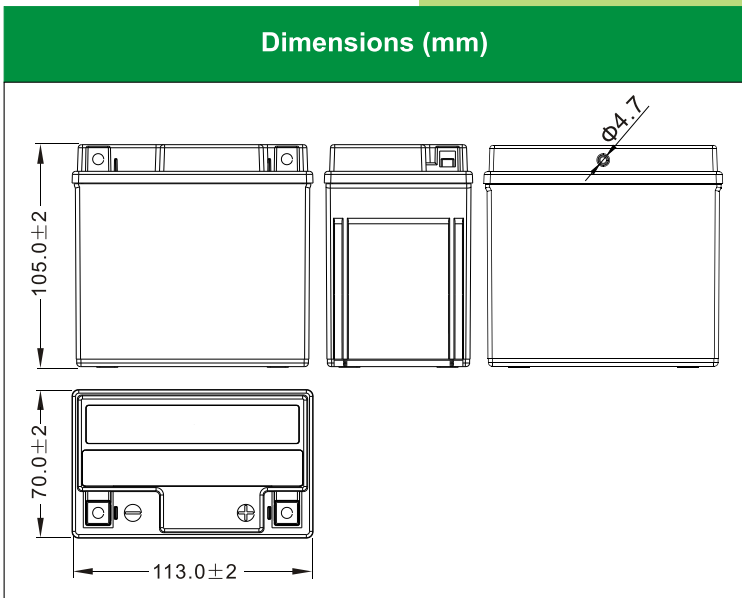




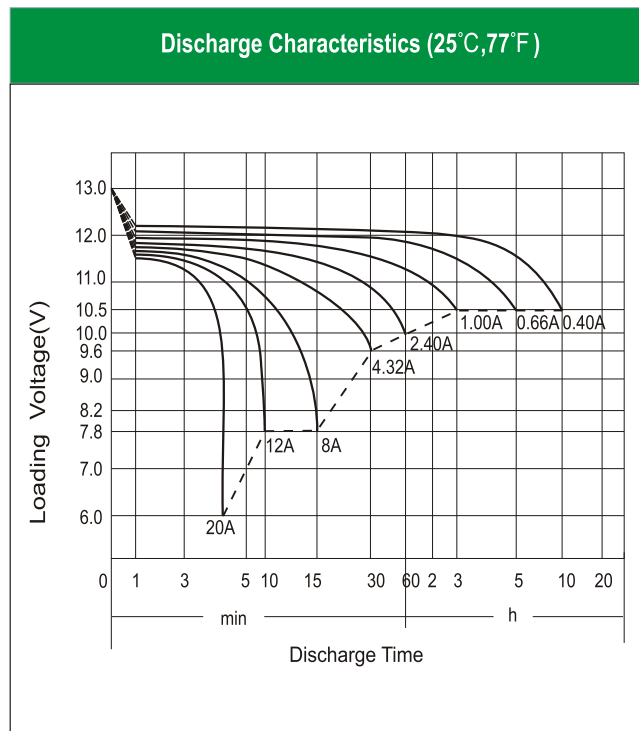
EB5-3 (12V4Ah)



Physical Specification

Nominal Voltage		12V
Nominal Capacity (10HR)		4Ah
Dimension	Length	113±2mm (4.45 inches)
	Width	70±2mm (2.76 inches)
	Container Height	105±2mm (4.13 inches)
	Total Height (with Terminal)	105±2mm (4.13 inches)
Weight	Battery(with acid): Approx 1.80kg (3.97lbs) Electrolyte: Approx 0.31kg (0.68lbs)	

- * Sealed and non-spillable AGM battery
- * Maintenance-free
- * Powerful 70 cold cranking amps
- * Shipped pre-charged and ready to install
- * Replaces EBX5L-BS battery



Electrical Specification

Rated Capacity	10 hour rate (0.40 A)	4.00Ah	
	5 hour rate (0.66 A)	3.28Ah	
Capacity affected by Temperature	2 hour rate (1.40 A)	2.80Ah	
	1 hour rate (2.40 A)	2.40Ah	
	0.5 hour rate (4.32 A)	2.16Ah	
	40 °C (104 °F)	106%	
	25 °C (77 °F)	100%	
Charging Methods	Full Charge	0 °C (32 °F)	86%
		-15 °C (5 °F)	65%
	Floating Charge	Constant-Voltage Charge: Initial charging current: less than 1.2A Voltage: 14.40 V ~ 15.00 V at 25 °C (77 °F) Charging time: 15 ~18h	
		Constant-Current Charge: Charging current: 0.1C ₁₀ =0.40A, when charging voltage up to 14.40V, continue to charge 4h	