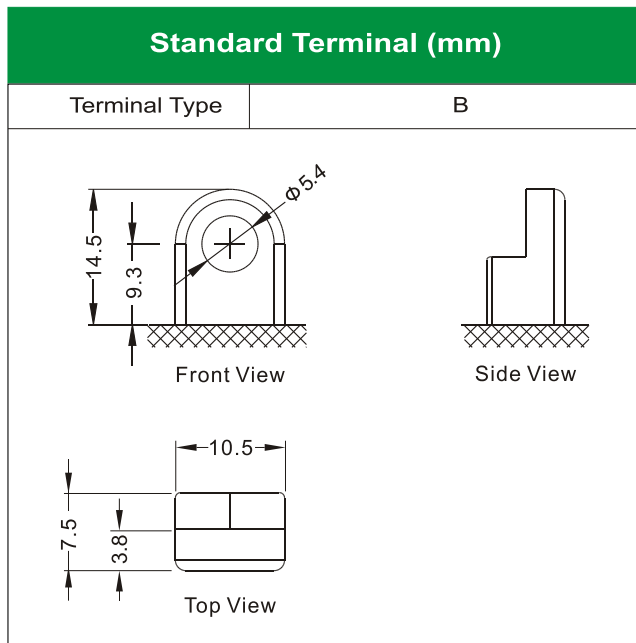
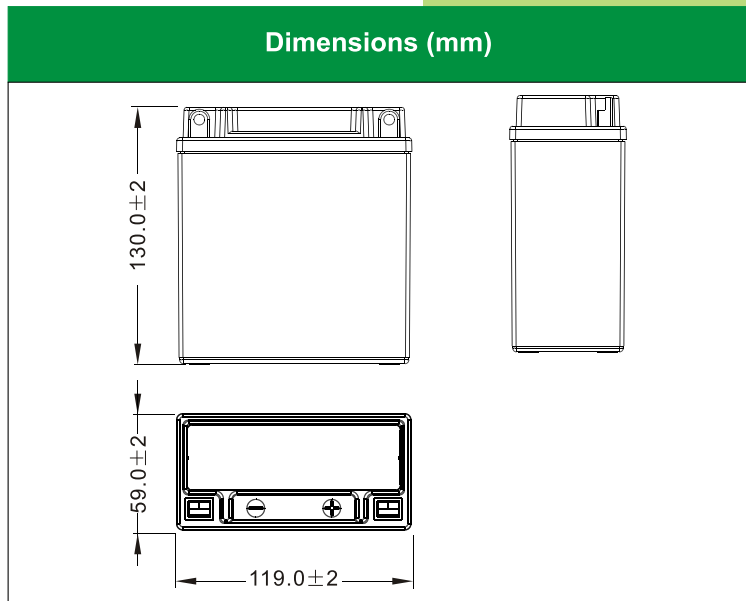




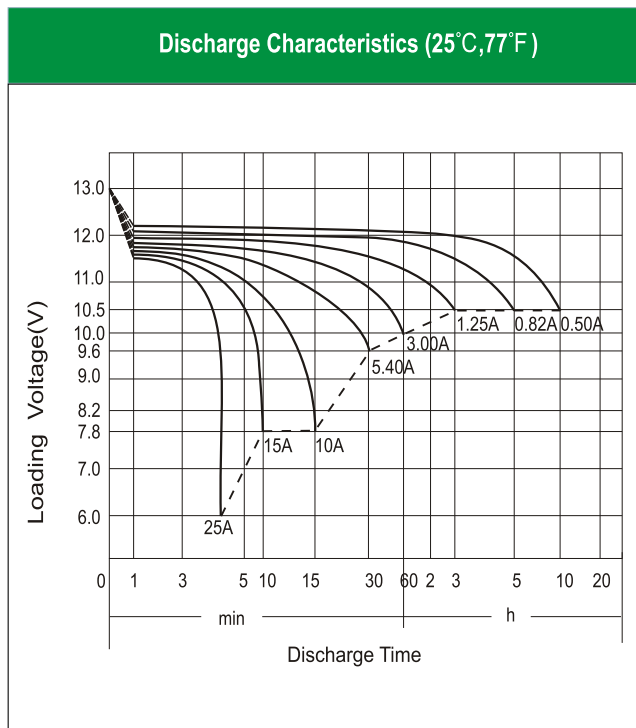
LT5A-3-1 (12V5Ah)



Physical Specification

Nominal Voltage Nominal Capacity (10HR)		12V 5Ah
Dimension	Length	119 ± 2mm (4.68 inches)
	Width	59 ± 2mm (2.32 inches)
	Container Height	130 ± 2mm (5.12 inches)
	Total Height (with Terminal)	130 ± 2mm (5.12 inches)
Weight	Battery(with acid): Approx 1.90kg (4.19lbs)	
	Electrolyte: Approx 0.39kg (0.86lbs)	

- * Sealed and non-spillable AGM battery
- * Maintenance-free
- * Powerful 75 cold cranking amps
- * Shipped pre-charged and ready to install
- * Replaces LT5AL-BS battery



Electrical Specification

Rated Capacity	10 hour rate (0.50 A)		5.00Ah
	5 hour rate (0.82 A)		4.10Ah
	2 hour rate (1.75 A)		3.50Ah
	1 hour rate (3.00 A)		3.00Ah
	0.5 hour rate (5.40 A)		2.70Ah
Capacity affected by Temperature	40 °C (104 °F)		106%
	25 °C (77 °F)		100%
	0 °C (32 °F)		86%
	-15 °C (5 °F)		65%
Charging Methods	Full Charge	Constant-Voltage Charge: Initial charging current: less than 1.5A Voltage: 14.40 V ~ 15.00 V at 25 °C (77 °F) Charging time: 15 ~ 18h Constant-Current Charge: Charging current: 0.1C ₁₀ =0.50A, when charging voltage up to 14.40V, continue to charge 4h	
	Floating Charge	No limit on Initial charging current Voltage: 13.50 V ~ 13.80 V at 25 °C (77 °F)	